

MS25/C-N-1-0-1-1-5G3-5R3 Art. No. 253808



- Pre-wired for use with a multi-purpose signalling device
- Corrosion-resistant
- Suitable for offshore/onshore and harsh environments
- FX15 signalling device made from GRP and YA90 for visual and audible alerts
- including
- flashing xenon or steady LED options
- Sounder with max. output of 115 dB
- Ex e connection chamber
- Quick and easy to terminate
- High degree of protection IP66 and IP67
- Extreme temperature range from -55 °C to +70 °C
- Light-enhancing lens, eight colour options
- Up to five beacon positions, plus junction box
- Up to three beacon positions and one YA90 sounder plus junction box

MY R. STAHL MSA



The MEXE, MS25, MS35, MS45 and MS55 product series represent user-friendly solutions, which are used for status indication purposes in harsh environments or hazardous areas. Whether installing a single beacon or a multi-unit device, the assembly process is performed using certified components, which are pre-connected in an Ex e junction box, making installation quick and easy. The enclosures of the signalling devices are made from GRP and are installed on the stainless steel back plate using corrosion-resistant mounting equipment. The system provides the user with a status indication unit, incorporating either xenon or LED beacons, along with audible notification, if required. The extreme temperature range and IP degree of protection, along with corrosion-resistant materials, make this device the ideal choice for both onshore and offshore applications.

Technical Data

Explosion Protection

Application range (zones)	1, 2, 21, 22
IECEx gas certificate	IECEx BAS 13.0003X
IECEx gas certificate	IECEx BAS 13.0003X
IECEx gas explosion protection	Ex de IIC T6 Db
IECEx dust certificate	IECEx BAS 13.0003X
IECEx dust explosion protection	Ex tb IIIC T85 °C
ATEX gas certificate	Baseefa 13 ATEX 0006
ATEX gas certificate	Baseefa 13 ATEX 0006
ATEX gas explosion protection	Ex II 2 G Ex de IIC T6 Db
ATEX dust certificate	Baseefa 13 ATEX 0006
ATEX dust explosion protection	Ex II 2 D Ex tb IIIC T85 °C
Certificates	ATEX (BAS), IECEx (BAS)

Electrical Data

Rated operational voltage AC	230 V
Rated operational current	0.144 A

Lighting Data

Number of light fields	2
Lamp	LED

MS25/C-N-1-0-1-1-5G3-5R3 Art. No. 253808

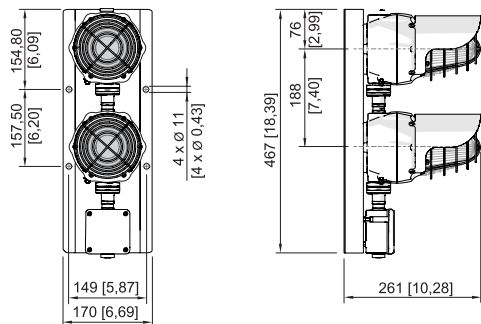
Ambient Conditions

Ambient temperature -60 °C ... +70 °C

Mechanical Data

Degree of protection (IP)	IP66
Enclosure material	Polycarbonate
Lens material	Polycarbonate
Sun shield material	Stainless steel
Width	170 mm
Height	467 mm
Length	261 mm
Number of light fields	Red/green
Weight	7.84 kg
Weight	17.28 lb

Dimensional Drawings (All Dimensions in mm [inches]) – Subject to Alterations



We reserve the right to make alterations to the technical data, dimensions, weights, designs and products available without notice. The illustrations cannot be considered binding.