

TEF10581138 Art. No. 259489



- High degree of protection, IP66/67, IP67 without breather
- Manufactured in acid proof stainless steel (AISI 316L)
- Stainless steel Type Label spot welded to the cover
- Several earthing alternatives
- Maximum strength and corrosion resistance
- High operational reliability
- Low lifetime maintenance cost
- Recommended for up to 2 heating cables

MY R. STAHL T1058F



Tranberg heat trace boxes are represented in most of the oil installations in the North Sea, petrochemical industries and other industries subjected to rough environments.

Tranberg has designed and manufactured heat tracing equipment and heating applications for rough environments for more than 25 years.

Our product range includes a number of different heat tracing junction boxes.

Technical Data

Explosion Protection

Scope of validity	IECEX European Union (ATEX)
Application range (zones)	1 2
IECEX gas certificate	IECEX PRE 14.0001
IECEX gas explosion protection	Ex eb IIC T5 Gb
ATEX gas certificate	Presafe 14 ATEX 4124
ATEX gas explosion protection	⊕ II 2 G Ex eb IIC T5 Gb

Ambient Conditions

Ambient temperature	-50 °C ... +50 °C
---------------------	-------------------

Mechanical Data

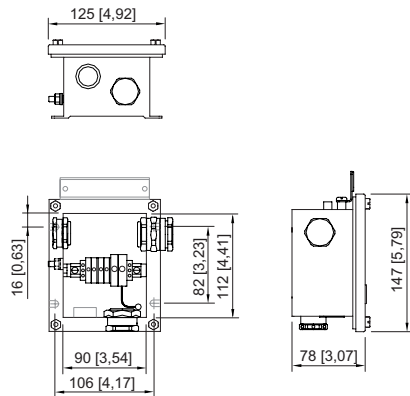
Degree of protection IP (IEC 60529)	IP66
Enclosure material	Stainless steel 1.4404, (AISI 316L), electropolished
Silicone-free	No
Connection cross-section	4 mm ²
Weight	-

Components

Entry 1	1 x Brass cable glands E204//622/D9 M25 Ø 13 ... 17 mm
Entry 2	1 x Stopping plugs Brass M25 x 1,5

TEF10581138 Art. No. 259489

Dimensional Drawings (All Dimensions in mm [inches]) – Subject to Alterations



TEF10581118 and TEF10581138

We reserve the right to make alterations to the technical data, dimensions, weights, designs and products available without notice. The illustrations cannot be considered binding.