

- Low profile, easy to fit inside cabinets
- Self-regulating heating element. Prevents overheating
- Rugged AISI 316L, acid steel construction
- Ambient air thermostat, integrated in heater junction box
- Low maintenance
- For use inside equipment enclosures and cabinets to prevent condensation and provide climatic control
- Frost protection

MY R. STAHL T9208C



Globally approved Ex e, self regulating enclosure heater. AISI 316L acid resistant steel enclosure and junction box. Junction box for electrical connections. Delivered with ambient air thermostat, +5 °C or +15 °C and power output from 100 W up to 600 W at 0 °C ambient, still air.

Technical Data

Explosion Protection

| | |
|--------------------------------|--------------------------|
| Application range (zones) | 1, 2 |
| IECEX gas certificate | IECEX NEM 11.0005X |
| IECEX gas explosion protection | Ex e IIC T4 Gb |
| ATEX gas certificate | NEMKO 11ATEX1098X |
| ATEX gas explosion protection | Ex II 2 G Ex e IIC T4 Gb |

Electrical Data

| | |
|------------------------------|------------|
| Rated operational voltage AC | 230 V |
| Power | 300 W |
| Frequency range | 50 – 60 Hz |

Ambient Conditions

| | |
|-------------------------------|--------------------------|
| Ambient temperature | -50 °C ... +50 °C (live) |
| Storage temperature | -50 °C ... +80 °C |
| Opening temperature OFF | +5 °C |
| Opening temperature tolerance | +/- 5°C |

Mechanical Data

| | |
|--|------------------------|
| Degree of protection (IP) | IP54 |
| Degree of protection note | For use in enclosures |
| Enclosure material | Stainless steel 1.4404 |
| Max. connection cross section, solid | 4 mm ² |
| Max. connection cross-section, finely stranded | 2,5 mm ² |
| Cable length | 0 m |
| Dimension A | 360 mm |
| Dimension B | 1004 mm |
| Dimension C | 30 mm |
| Dimension D | 80 mm |
| Dimension E | 760 mm |
| Dimension F | 320 mm |

Mechanical Data

| | |
|--------|---|
| Weight | - |
|--------|---|

Components

| | |
|--------------------------|---------------|
| Drilled holes | 4 x M25 |
| Cable glands and entries | 1 x M25 x 1.5 |
| Stopping plugs | 3 x M25 x 1.5 |

Technical Drawings – Subject to Alterations

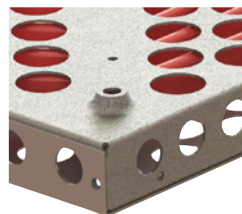


Use a tool to tighten the screws firmly to secure the heater.



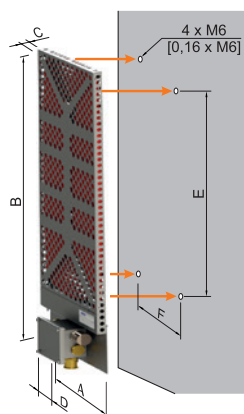
Sandwich design

Insert 4 x M6 screws and washers in the mounting brackets as shown. Use a wrench for tightening the screws firmly.

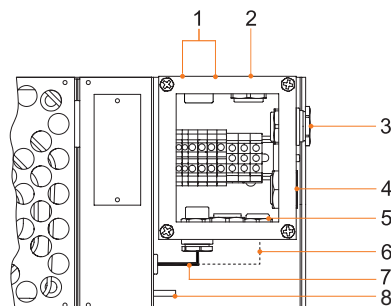


4 x Ø 6 mm mounting holes on the rear side of the heater

Dimensional Drawings (All Dimensions in mm [inches]) – Subject to Alterations



Note! Never install the heater with junction box facing upwards.



- 1 Ambient air thermostat
 - 2 Stopping plug M25
 - 3 Power in M25
 - 4 Breather M25
 - 5 Stopping plug M25
 - 6 ¹ 2x cold lead only (for sandwich design)
 - 7 ¹ Cold lead
 - 8 Earth bolt
- ¹ internal cables from heater plate (installed at TRANBERG Factory)

| Nominal output ¹⁾ | Overall dimensions | | | | Mounting dimensions | | Weight |
|------------------------------|--------------------|------|----|----|---------------------|-----|----------|
| | A | B | C | D | E | F | |
| 100 W | 245 | 684 | 30 | 80 | 440 | 200 | 4.92 kg |
| 175 W | 280 | 834 | 30 | 80 | 590 | 240 | 6.74 kg |
| 300 W | 360 | 1004 | 30 | 80 | 760 | 320 | 9.72 kg |
| 600 W | 424 | 1004 | 80 | 80 | 760 | 397 | 18.76 kg |

¹⁾ **Note: Nominal output at still air at 0 °C**

We reserve the right to make alterations to the technical data, dimensions, weights, designs and products available without notice. The illustrations cannot be considered binding.