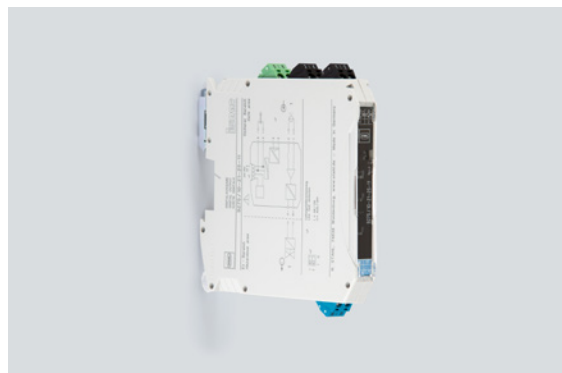


# Isolators

Binary output

Ex i field circuit

9275/10-21-25-11k Art. No. 261436



- Slim design saves space – just 12.5 mm wide
- For use up to SIL 3 (IEC/EN 61508)
- A wire breakage and short-circuit monitoring system, which can be disconnected and includes messages

MY R. STAHL 9275A



The Series 9275 digital outputs transmit signals for the intrinsically safe operation of Ex i solenoid valves, indicator lamps and horns. The devices feature three-way galvanic separation.

## Technical Data

Explosion Protection	
Application range (zones)	2
Ex interface zone	0, 1, 2, 20, 21, 22
IECEX gas certificate	IECEX IBE 17.0044X
IECEX gas certificate	IECEX IBE 17.0044X
IECEX gas explosion protection	Ex ec [ia Ga] IIC T4 Gc
IECEX dust certificate	IECEX IBE 17.0044X
IECEX dust explosion protection	[Ex ia Da] IIIC
IECEX firedamp certificate	IECEX IBE 17.0044X
IECEX firedamp protection	[Ex ia Ma] I
ATEX gas certificate	IBExU 17 ATEX 1152 X
ATEX gas certificate	IBExU 17 ATEX 1152 X
ATEX gas explosion protection	⊕ II 3 (1) G Ex ec [ia Ga] IIC T4 Gc
ATEX dust certificate	IBExU 17 ATEX 1152 X
ATEX dust explosion protection	⊕ II (1) D [Ex ia Da] IIIC
ATEX firedamp certificate	IBExU 17 ATEX 1152 X
ATEX firedamp protection	⊕ I (M1) [Ex ia Ma] I
cULus certificate	E81680
Marking cULus	Class I, Div. 2, Groups A,B,C,D; Class I, Zone 2, AEx/Ex nA Group IIC AIS Class I,II,III, Div. 1, Groups A,B,C,D,E,F,G; Class I, Zone 0, [AEx ia]/[Ex ia] IIC T4 any mounting pos. Ta = 60°C See Doc. 9275 6 031 001 3
Certificates	ATEX (IBE), Canada (UL), China (CQM), IECEX (IBE), India (PESO), Korea (KTL), SIL (BVS), USA (UL)
Ship approval	DNV
Declaration of conformity	ATEX (EUK), China (CCC)
Safety Data	
Max. voltage U <sub>o</sub>	23.98 V

#### Safety Data

Max. current $I_o$ (Ex ia)	37.4 mA					
Max. power $P_o$	224 mW					
Max. permissible external capacity $C_o$ for IIC	0.11 $\mu$ F					
Max. permissible external inductance $L_o$ for IIC	22 mH					
Max. permissible external capacity $C_o$ for IIB	0.91 $\mu$ F					
Max. permissible external inductance $L_o$ for IIB	100 mH					
Max. permissible external capa.IIA	3.33 $\mu$ F					
Max. permissible external inductance $L_o$ for IIA	200 mH					
Max. permissible external capacity $C_o$ for IIIC	0.91 $\mu$ F					
Max. permissible external inductance $L_o$ for IIIC	100 mH					
Max. permissible external capacity $C_o$ for I	3.33 $\mu$ F					
Max. permissible external inductance $L_o$ for I	200 mH					
Internal capacitance	11 nF					
Internal inductance	Negligible					
Safety-related max. voltage	253 V AC					
Intrinsically safe limiting values inductance $L_o$ /capacitance $C_o$	Jointly connectable inductance $L_o$ /capacitance $C_o$					
IIC	$L_o$ [mH]	20 mH	10 mH	5 mH	2 mH	0.500 mH
	$C_o$ [ $\mu$ F]	0.068 $\mu$ F	0.068 $\mu$ F	0.068 $\mu$ F	0.068 $\mu$ F	0.089 $\mu$ F
IIB	$L_o$ [mH]	100 mH	20 mH	1 mH	0.100 mH	
	$C_o$ [ $\mu$ F]	0.300 $\mu$ F	0.480 $\mu$ F	0.510 $\mu$ F	0.890 $\mu$ F	
IIA	$L_o$ [mH]	50 mH	20 mH	1 mH	0.500 mH	0.200 mH
	$C_o$ [ $\mu$ F]	0.670 $\mu$ F	0.760 $\mu$ F	0.760 $\mu$ F	0.830 $\mu$ F	0.890 $\mu$ F
IIIC	$L_o$ [mH]	100 mH	20 mH	1 mH	0.100 mH	
	$C_o$ [ $\mu$ F]	0.300 $\mu$ F	0.480 $\mu$ F	0.510 $\mu$ F	0.890 $\mu$ F	
I	$L_o$ [mH]	50 mH	20 mH	1 mH	0.500 mH	0.200 mH
	$C_o$ [ $\mu$ F]	0.670 $\mu$ F	0.760 $\mu$ F	0.760 $\mu$ F	0.830 $\mu$ F	0.890 $\mu$ F

#### Functional Safety

SIL	3
HFT	0
SFF	94,82%
Lambda SD	0 FIT
Lambda SU	406 FIT
Lambda DD	45,1 FIT
Lambda DU	24,6 FIT
Lambda, total	683 FIT
$PFD_{avg}$ at $T_{proof}$ 1 year	1,08E-04
$PFD_{avg}$ at $T_{proof}$ 2 years	2,16E-04

#### Functional Safety

PFD <sub>avg</sub> at T <sub>proof</sub> 5 years	5,41E-04
PFDavg at T <sub>proof</sub> 10 years	1,08E-03
PFH	2,46E-08

#### Electrical Data

Number of channels	1
LFD relay	Yes

#### Auxiliary Power

Auxiliary power	24 V DC
Auxiliary power voltage range	19.2 to 30 V
Nominal current	50 mA
Power consumption	1.2 W
Max. power dissipation	0.8 W
Polarity reversal protection	Yes
Operation indication	LED

#### Galvanic Isolation

Test voltage as per standard	EN IEC 60079-11
Galvanic separation Ex i output to input	375 V AC peak value
Galvanic separation Ex i output to HE	375 V AC peak value
Galvanic separation Ex i output to FMC	375 V AC peak value
Test voltage as per standard	EN 61010/EN 50178
Fault message contact to auxiliary power	300 V <sub>eff</sub>
Input to auxiliary power	300 V <sub>eff</sub>
Fault message contact to input	300 V <sub>eff</sub>

#### Input

Input voltage for ON	15 – 30 V
Input voltage for OFF	0 – 5 V
Control current	< 12 mA
Behaviour of the input with line fault	3000000 Ω

#### Output

Output open-circuit voltage U <sub>a</sub>	21.1 V
Max. output current I <sub>a max</sub>	25.1 mA
Output internal resistance R <sub>i</sub>	641 Ω
Switching delay ON/OFF	< 30 ms
Switching delay OFF/ON	< 30 ms
Response time output	< 30 ms
Switching state indication	LED
LF switch user adjustment	Activated/deactivated
Wire break. err detection OFF	> 10 kΩ
Short circuit error detection output	< 50 ohm
Test current	< 0.6 mA
Test current note	The test current is also active when line fault detection is deactivated
Line fault indication	LED
Fault message contact switching capacity	30 V / 50 mA

### Ambient Conditions

Ambient temperature	-20 °C ... +70 °C (Single device) -20 °C ... +60 °C (Group assembly)
Ambient temperature	-4 °F ... +158 °F (Single device) -4 °F ... +140 °F (Group assembly)
Storage temperature	-40 °C ... +80 °C
Storage temperature	-40 °F ... +176 °F
Maximum relative humidity	10 to 95%
Use at the height of	< 2000 m
Electromagnetic compatibility	EN 61326-1 For use in industrial areas Immunity according to EN 61000-6-2 Interference radiation according to EN 61000-6-4

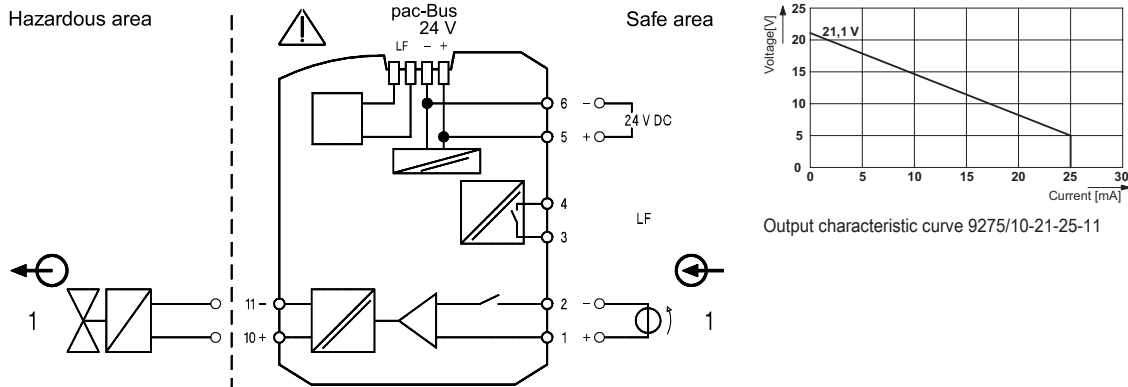
### Mechanical Data

Degree of protection (IP)	IP30
Degree of protection (IP) terminals	IP20
Fire resistance (UL 94)	V0
Enclosure material	Polyamide
Grid dimension	12.5 mm
Width	12.5 mm
Width, inches	0.49 in
Height	114.5 mm
Height in inches	4.51 in
Length	116 mm
Length in inches	4.57 in
Weight	160 g
Weight	0.35 lb

### Mounting / Installation

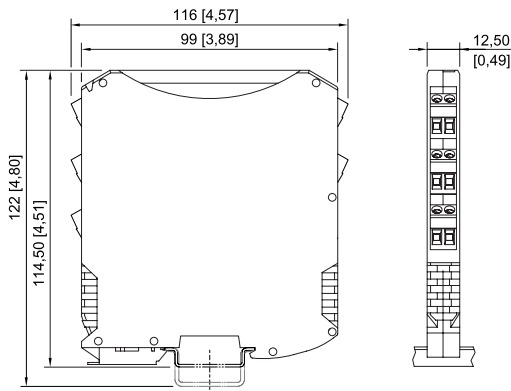
Mounting type	DIN rail NS35/15, NS35/7.5
Mounting orientation	Vertical Horizontal
Connection type	Spring clamp terminal
Min. rigid conductor cross section	0.2 mm <sup>2</sup>
Max. rigid conductor cross section	1.5 mm <sup>2</sup>
Min. flex conductor cross section	0.2 mm <sup>2</sup>
Max. flex conductor cross section	1.5 mm <sup>2</sup>
Connection cross-section AWG	24 ... 16

### Technical Drawings – Subject to Alterations



Connection diagram 9275/10-21-25-11

### Dimensional Drawings (All Dimensions in mm [inches]) – Subject to Alterations



ISpac Series 9260, 9270, 9275, 9276, 9282 with spring clamp terminal

## Accessories

### Supply module

		Art. No.
	Redundant supply of 24 V DC auxiliary power (with fuse) and reading out the collective error message from Series 92xx ISpac modules which support this function. Screw terminal connection	268183
	Redundant supply of 24 V DC auxiliary power (with fuse) and reading out the collective error message from Series 92xx ISpac modules which support this function. Spring clamp terminal connection	268184

### pac-Bus

		Art. No.
	Wiring auxiliary power and collective error message	262928

We reserve the right to make alterations to the technical data, dimensions, weights, designs and products available without notice. The illustrations cannot be considered binding.