

TEF9980005 Art. No. 262976



- Status light as described in CAA UK CAP437, NORMAM-27/ DPC and 2009 MODU Code
- Height of light units <25 cm. Allows for on-deck installation
- Automatic monitoring of all light units when in combination with Tranberg control system. No need for redundancy units
- Maintenance free
- Night vision goggle (NVG) compatible
- Low power consumption: Main light, 30 W and Repeater light 2.6 W

MY R. STAHL T9980A



The TEF9980 Status lights are designed to fulfil the latest requirements of CAA UK CAP 437, as well as operator's needs for products that are cost-effective, reliable, require no maintenance and are applicable for use in all environments.

The TEF 9980 Status light is available as a main light and as a repeater light. Both versions are fully monitored, which eliminates the light units' redundancy need. In combination with Tranberg control system the lights can be set up for automatic test intervals, timeouts for both dim level diagnostics.

A status light system should be installed if a condition can exist on an installation which may be hazardous for the helicopter or its occupants. The system should be a flashing red light (or lights), visible to the pilot from any direction of approach and on any landing heading. The aeronautical meaning of a flashing red light is either "do not land, aerodrome not available for landing" or "move clear of landing area". The system should be automatically initiated at the appropriate hazard level (e.g. impending gas release)

Technical Data

Explosion Protection

Area of application	European Union (ATEX)
Application range (zones)	1, 2
IECEx gas certificate	in preparation
IECEx gas explosion protection	Ex db op is IIB+H2 T5 Gb
ATEX gas certificate	in preparation
ATEX gas explosion protection	Ex II 2 G Ex db op is IIB+H2 T5 Gb

Electrical Data

Rated operational voltage DC	16 ... 32 V
Power	30 W

Lighting Data

Lamp	Red LED + IR
Flash rate	2/s

Ambient Conditions

Ambient temperature	-40 °C ... +55 °C
---------------------	-------------------

Mechanical Data

Degree of protection (IP)	IP66
Degree of protection (IP) (IEC 60529)	IP67
Enclosure material	Aluminium, powder-coated, Seawater-resistant
Material dome	Glass Temperature-resistant

TEF9980005 Art. No. 262976

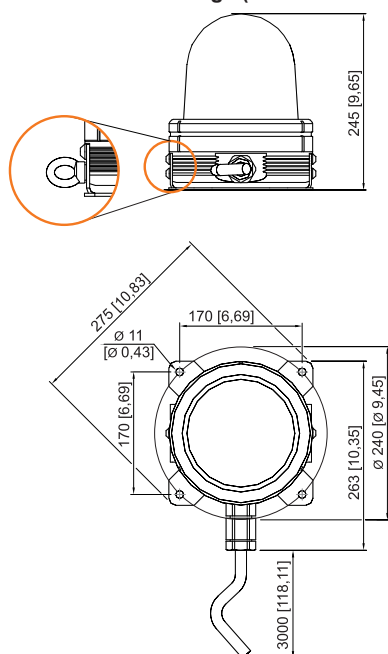
Mechanical Data

Conductor length	3 m
Type of connection cable	BFOU 0.6/1.2kV P5/P12
Width	263 mm
Height	245 mm
Length	200 mm
Weight	-

Mounting / Installation

Connection type	Connection line
Mounting part material	Stainless steel
Note about mounting	Can be ordered as accessories

Dimensional Drawings (All Dimensions in mm [inches]) – Subject to Alterations



We reserve the right to make alterations to the technical data, dimensions, weights, designs and products available without notice. The illustrations cannot be considered binding.