

Installation equipment

Ex d cabinet/empty enclosure EXpressure



8280/.-31-2.11-1 Art. No. 263860



- Cost savings thanks to low weight and small installation area
- Easily adapted should there be any changes to an order
- More installation space thanks to a big installation volume
- More compact and more flexible machine and system design
- More control functions available
- Shorter planning and project turnaround times
- Low operating and maintenance costs
- Higher system availability and increased productivity

MY R. STAHL 8280A



The new EXpressure technology safely dissipates explosion pressure in cabinets, control stations and other enclosures via flow channels. As a result, the lightweight and compact EXpressure enclosure, manufactured in accordance with industrial cabinet dimensions with a control panel made from industrial components, can be positioned as close as possible to the process for Zones 1 and 2.

Technical Data

Explosion Protection

Application range (zones)	1, 2
IECEX gas certificate	8280/0: 8280/5:
IECEX gas explosion protection	8280/0: Ex db sb IIB Gb 8280/5: Ex db eb ia [ia Ga] ib [ib Gb] mb op pr [op is] sb IIB T5...T3 Gb
ATEX gas certificate	8280/0: 8280/5:
ATEX gas explosion protection	8280/0: II 2 G Ex db sb IIB Gb 8280/5: II 2 G Ex db eb ia [ia Ga] ib [ib Gb] mb op pr [op is] IIB T5...T3 Gb
Certificates	ATEX (BVS), ATEX (PTB), IECEx (BVS), IECEx (PTB)

Electrical Data

Rated operational voltage AC	11 kV
Rated operational current	1250 A (T3)
Power dissipation Ta 40° C	T3 = 620 W T4 = 200 W T5 = 20 W
Power dissipation Ta 50° C	T4 = 150 W T3 = 550 W T5 = n/a
Power dissipation Ta 60° C	T4 = 100 W T3 = 480 W T5 = n/a

Ambient Conditions

Ambient temperature Ta	-40 °C ≤ Ta ≤ +60 °C
------------------------	----------------------

Mechanical Data

Degree of protection (IP)	IP66
External protective conductor connection	M10
Cover seal	Silicone

8280/.-31-2.11-1 Art. No. 263860

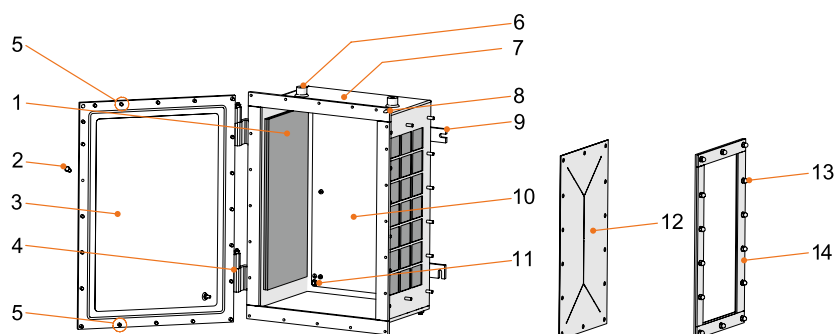
Mechanical Data

Size of cover screw 1	M8
Ring bolt for cover	M10
Ring bolt for enclosure	M12
Material	Stainless steel
Connection cross-section max.	300 mm ²
Cover mounting	Screws
Protective conductor connection size	M6
Protective conductor connection labelling	Internal/external on enclosure
Cover thickness	10 mm
Inner dimensions (WxHxD)	400 x 600 x 300 mm
Mounting depth with base plate	288 mm
Hinge	with
volume	72 dm ³
Weight	79 kg
Weight	174.16 lb

Mounting / Installation

Tightening torque of cover screw 1	22 N · m
------------------------------------	----------

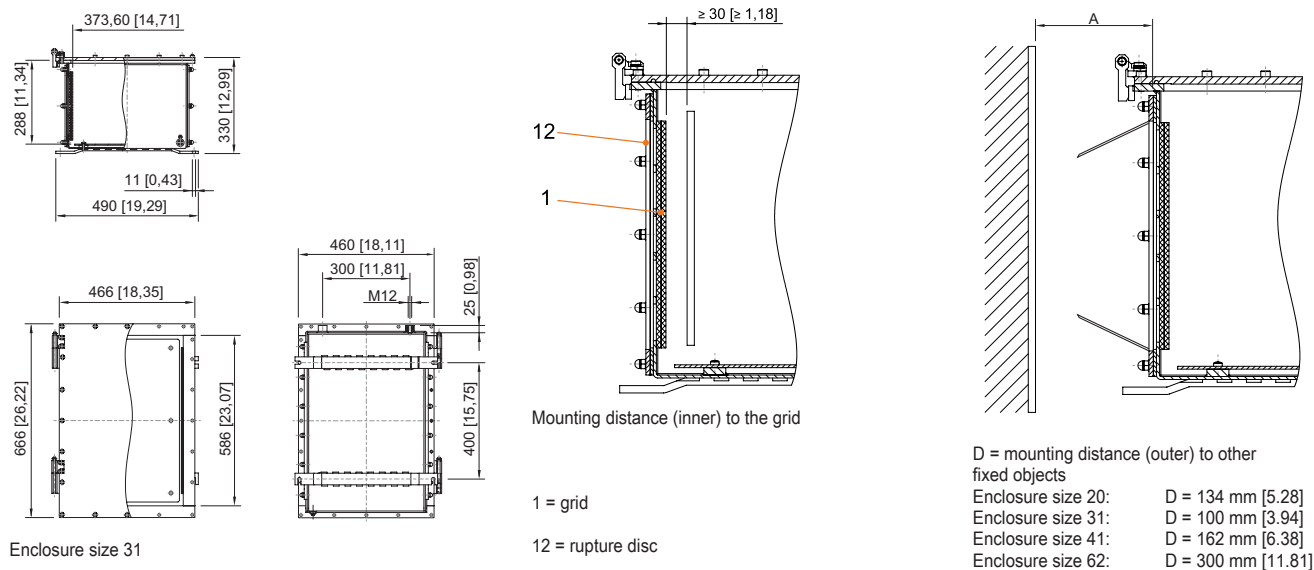
Technical Drawings – Subject to Alterations



- 1 = grid
- 2 = cover screw
- 3 = enclosure cover
- 4 = hinge
- 5 = mounting point for retaining lugs
- 6 = mounting point for transport lug
- 7 = enclosure
- 8 = positioning pin
- 9 = anchoring bracket
- 10 = base plate
- 11 = inner earth connection of base plate
- 12 = rupture disc
- 13 = cap nut
- 14 = frame


8280/.-31-2.11-1 Art. No. 263860

Dimensional Drawings (All Dimensions in mm [inches]) – Subject to Alterations



Accessories

Retaining/transport lugs (contains two pieces)

	Art. No.
 <p>M10, stainless steel, thread length = 8 mm, for cover SZ 20, 31, 41 Packaging unit: Two pieces</p>	268425
<p>M12, stainless steel, thread length = 20.5 mm, for enclosure SZ 31, 41 Packaging unit: Two pieces</p>	268670

We reserve the right to make alterations to the technical data, dimensions, weights, designs and products available without notice. The illustrations cannot be considered binding.