

IC-930-AFZ-I30P00S2C10V2W01M00 Art. No. 271550



- Universally applicable Full HD IP camera with low-light technology, day / night - functionality
- Crystal-clear images in all safe, industrial areas
- Ensuring optimum control options with clearly visible people and processes
- Plug & play installation
- Power over Ethernet operation (PoE+)
- Electropolished stainless steel (SS316L) enclosure

MY R. STAHL IC930AFZA



As a universally applicable Full HD IP camera with low-light technology, the IC-930 provides crystal-clear images in all safe, industrial areas - from food factories and pharmaceutical or chemical factories to ships and piers. The enclosure consists of AISI316L stainless steel. The high degree of light sensitivity and the camera's day / night mode ensure brilliant images even in bad, low light. This ensures optimum control options with clearly visible people and processes. Even the 30x zoom still provides optimum images and video streams with a frame rate of 60 images per second. The camera can be operated in temperatures ranging from -40 °C to +65 °C and has IP66 / IP67 / IP68 as well as IP69. As a standard, the camera is supplied with supports for wall, ceiling and parapet mounting and with a sunshield. Another version is available with a wiper and an optional water tank.

Technical Data

Electrical Data	
Rated operational voltage AC	24 V
Rated operational voltage DC	24 V
Rated operational current AC	1.32 A
Rated operational current for DC	0.9 A
Interfaces	PoE+ (IEEE802.3at)
Connection	Ethernet LAN 100Base-TX, RJ45
I/O alarm	1x input remote reset
I/O relay	2x relay output
Camera Data	
Sensor	1/2.8 CMOS
Lens	f = 4.5 (w) to 135 mm (t) From F1.6 to F9.6
Viewing angle	61.6° (wide), 2.5° (tele.)
Focus	Auto, manual, trigger
Zoom	30x optical
Resolution	Full HD 1080p 1920x1080 pixels
Pixel	Approx. 2.38 megapixels
Minimum illumination B/W (ICR-ON)	0.0006 lx, F1.6, 30 IRE
Minimum illumination color (ICR-OFF)	0.0060 lx F1.6, 30 IRE
Number of streams	3 independent video streams Full HD
Frame rate (fps)	1 to 60 frames per second
Electronic shutter	1/1 to 1/10,000s

IC-930-AFZ-I30P00S2C10V2W01M00 Art. No. 271550

Camera Data

Compression	H.264, MJPEG, JPEG, MPEG4
De-fog	On/Off
WDR (dynamic range)	120 dB
White balance	Auto, manual
Motion detection	Yes
Web server	Yes

Software

Network protocol	ONVIF profiles Q,S,T
Network Configuration	TCP/IPv4-IPv6, UDP/IPv4-IPv6, HTTP, HTTPS, NTP, DHCP, WS-DISCOVERY, DSCP, IGMP (Multicast), SOAP, DNS
Streaming	RTSP, RTCP, RTP/IPv4, HTTP Multicast

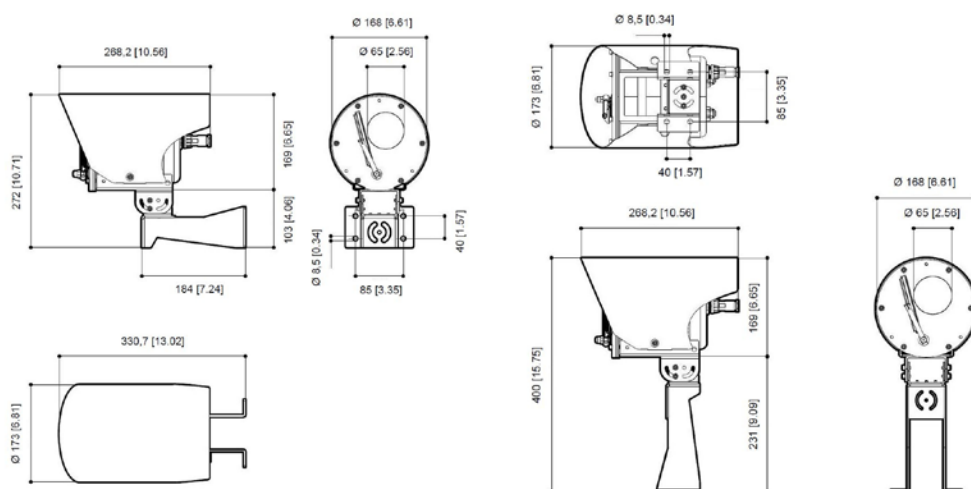
Ambient Conditions

Ambient temperature	-40 °C ... +65 °C At PoE+ max. +60 °C
---------------------	---------------------------------------

Mechanical Data

Version	Fixed viewing angle
Degree of protection (IP)	IP66, 67, 68, 69
Enclosure material	Stainless steel 1.4404
Surface treatment	Electropolished
Cable length	0 m
Integrated wiper	Yes
Package weight	6.2 kg
Package dimensions	360 x 350 x 230 mm
Weight	4 kg
Weight	8.82 lb

Dimensional Drawings (All Dimensions in mm [inches]) – Subject to Alterations



We reserve the right to make alterations to the technical data, dimensions, weights, designs and products available without notice. The illustrations cannot be considered binding.