

- ISpac devices are quick to wire, reducing costs
- Can be installed on standard DIN rails without tools by simply snapping into place – can be expanded at any time
- Suitable for industrial environments subject to vibration

07 b

MY R. STAHL 9194A



The 9194 series pac-Bus supplies 30 to 50 ISpac devices of the 91xx series per pac-Bus segment with auxiliary power and receives error messages from these devices via a zero-potential contact. It is quick and easy to install on high- or low-profile DIN rails without the need for tools, and can be expanded at any time. The system is mechanically very robust, making it perfect for industrial environments. The pac-Bus 9194/31-17 can be combined with pac-Bus 9294/31-12.

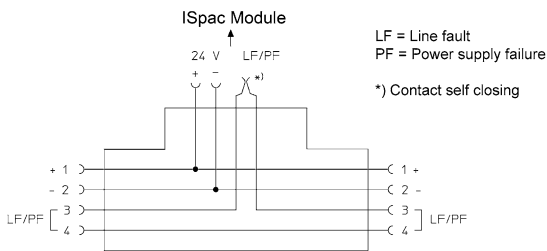
	NEC® 500 CE Code Appendix J						CE Code Section 18 NEC® 505 NEC® 506						IECEX / ATEX					
	Class I		Class II		Class III		Class I			Class I								
Division	1	2	1	2	1	2	0	1	2	20	21	22	0	1	2	20	21	22
Ex interface																		
Installation in		•						•						•				

Selection Table						
Product Description						
pac-Bus single element ISpac						
Figure	Description	Grid dimension	Product Type	Art. No.	Weight lb	
	Wiring auxiliary power and collective error message	17.6 mm	9194/31-17	160731 ▲	0.01 lb	
Product Description						
pac-Bus terminal set ISpac						
Figure	Description	Grid dimension	Product Type	Art. No.	Weight lb	
	For the supply of 24 V DC auxiliary power via terminals (alternative to using the supply module 9193/21-11-11), with jumper for error message chain for ISpac module 91xx	–	9194/50-01	160730 ▲	0.02 lb	

Technical Data	
Explosion Protection	
FMus certificate	FM16US0122X
cFM certificate	FM16CA0067X
Marking cFMus	Class I, Div. 2, Groups A,B,C,D; Class I, Zone 2, Group IIC T4 at Ta = 70°C See Doc. 91 956 01 31 1
IECEX gas certificate	IECEX BVS 10.0042 X
IECEX gas explosion protection	Ex ec IIC T4 Gc


Technical Data	
Explosion Protection	
Certificates	ATEX (BVS), Brazil (ULB), Canada (FM), China (NEPSI), IECEx (BVS), India (PESO), USA (FM)
Ship approval	CCS, EU RO MR (DNV)
Electrical Data	
Connections	using pac-Bus terminal set 9194/50-01 or supply module 9193/21-11-11.
Mounting / Installation	
Mounting type	DIN rail NS35/15, NS35/7.5
Mounting orientation	Horizontal Vertical

Technical Drawings – Subject to Alterations

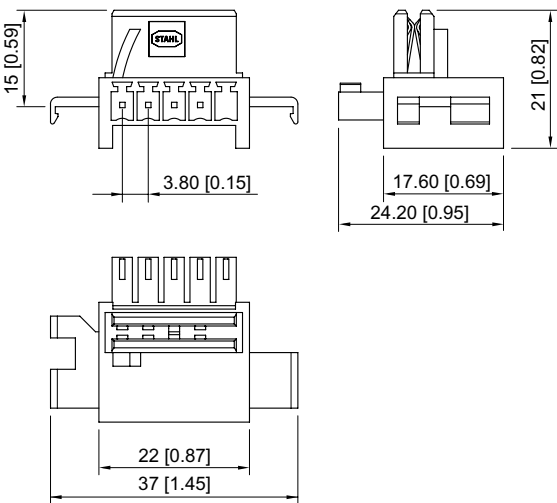


Connection Diagram 9194/50-01

Accessories

Figure	Description	Product Type	Art. No.	Weight lb
	Redundant supply of 24 V DC auxiliary power (with fuse) and reading out the collective error message from Series 92xx ISpac modules which support this function. Spring clamp terminal connection	9193/21-11-11k	268184	0.3

Dimensional Drawings (All Dimensions in mm [inches]) – Subject to Alterations



Series 9194