



- Metal Ex e conduit hub
- Wide selection of NPT thread sizes
- Large temperature range of use
- Globally certified in accordance with IECEx, ATEX and cULus
- Integrated self-loosening protection thanks to threaded pin

K

MY R. STAHL 8166A



R. STAHL's Series 8166 conduit hubs are used to route permanently installed conduit systems with NPT thread into electrical equipment with the increased safety "e" type of protection or the protection by explosion "tb" type of protection, and are suitable for NEMA type 4X installation.

	NEC® 500 CE Code Appendix J					
	Class I		Class II		Class III	
Division	1	2	1	2	1	2
Ex interface						
Installation in		•		•		•

	CE Code Section 18					
	NEC® 505 Class I			NEC® 506		
Zone	0	1	2	20	21	22
Ex interface						
Installation in		•				

	IECEx / ATEX					
	Zone	0	1	2	20	21
Ex interface						
Installation in		•	•		•	•

Selection Table				
Product Description	Conduit hub			
Thread size	Product Type	Art. No.	Weight lb	
NPT1	8166/11-03-NE	139084	0.4 lb	
NPT1/2	8166/11-01-NE	139082	0.27 lb	
NPT1-1/2	8166/11-05-NE	139086	0.53 lb	
NPT1-1/4	8166/11-04-NE	139085	0.46 lb	
NPT2	8166/11-06-NE	139087	0.6 lb	
NPT3	8166/11-08-NE	139089	0.73 lb	
NPT3/4	8166/11-02-NE	139083	0.33 lb	

Technical Data	
Explosion Protection	
Area of application	USA Canada European Union (ATEX) IECEx
Certificate ULus	E200949V1S2
Marking ULus	Class I, Zone 1 AEx e II Class I, Div. 2, Groups A,B,C,D Class II, Div. 2, Groups F,G Class III Type 3, 4, 4X
Certificate cUL	E200949V1S2

Technical Data

Explosion Protection

Marking cUL	Class I, Zone 1 Ex e II Class I, Div. 2, Groups A,B,C,D Class II, Div. 2, Groups F,G Class III Type 3, 4, 4X
IECEx gas explosion protection	Ex eb IIC Gb
IECEx dust explosion protection	Ex tb IIIC Db
Certificates	ATEX (PTB), Canada / USA (UL), Canada (UL), IECEx (PTB)

Electrical Data

Grounding terminal	Yes
--------------------	-----

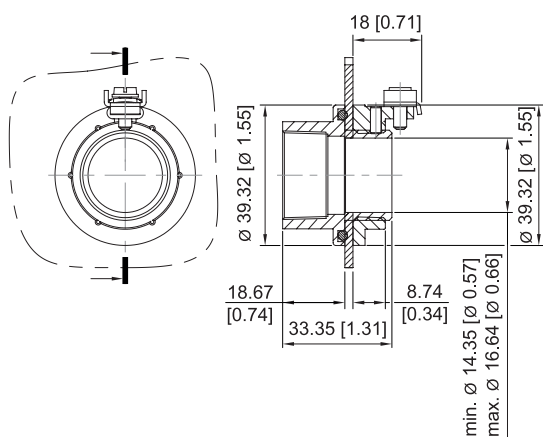
Ambient Conditions

Ambient temperature °F	-22 °F ... +212 °F
Ambient temperature °C	-30 °C ... +100 °C

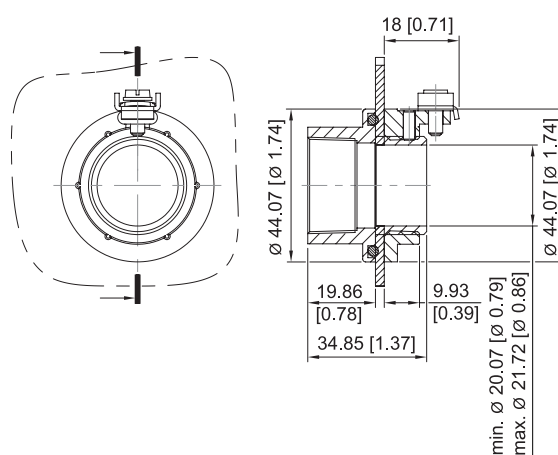
Mechanical Data

Type (NEMA)	3, 4, 4X
Degree of protection (IP)	IP66
Degree of protection (IP) (IEC 60529)	IP66
Material	Zinc

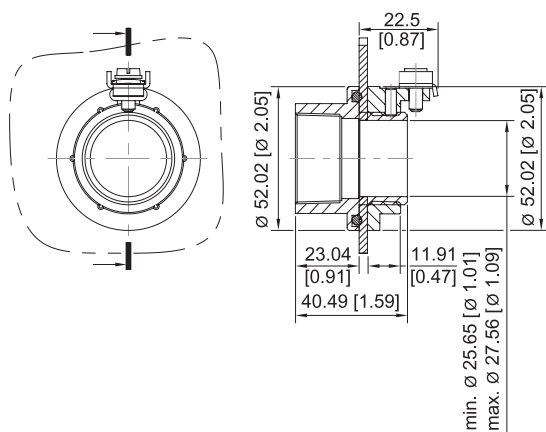
Dimensional Drawings (All Dimensions in mm [inches]) – Subject to Alterations



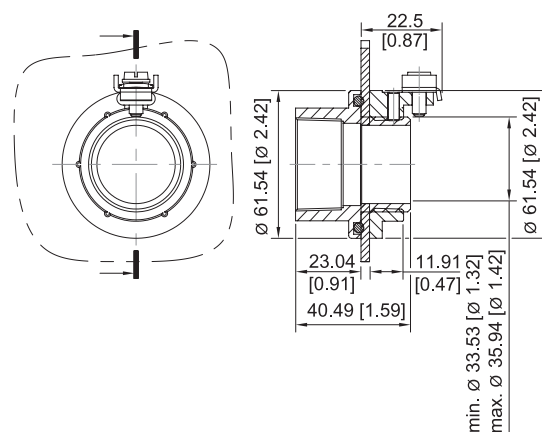
8166/11-01-NE



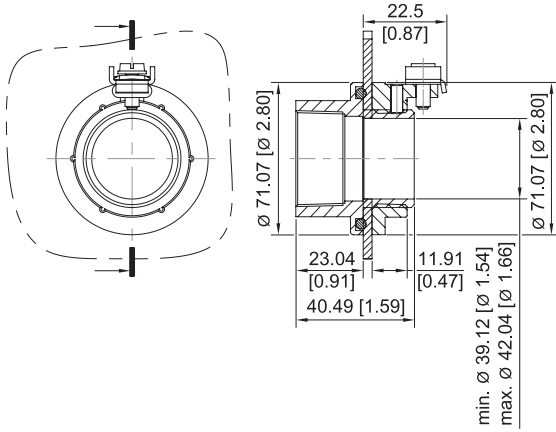
8166/11-02-NE



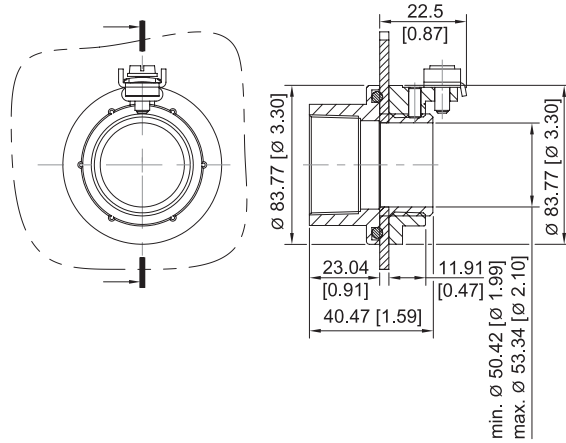
8166/11-03-NE



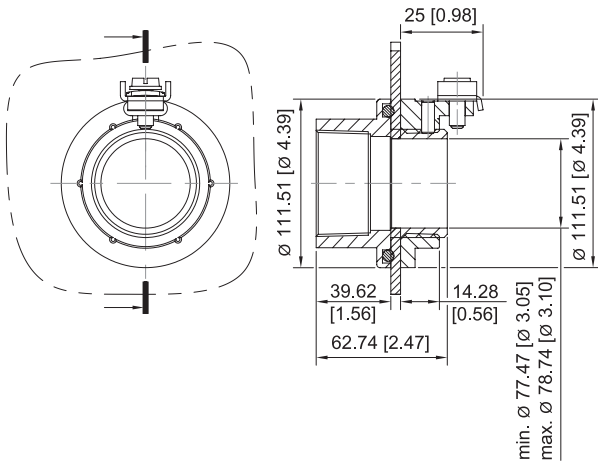
8166/11-04-NE



8166/11-05-NE



8166/11-06-NE



8166/11-08-NE