

EC-940S-AFZ-HGI-W24-56B Art. No. 290556



- Certified for hazardous Zones 1, 2, 21, 22 acc. to ATEX, IECEx
- Super-Low-Light-Technology for extremely detailed images, even in difficult lighting conditions, day / night - functionality
- IP Camera with Full HD for optimum image quality
- Enclosure electropolished and Silicon micro-blasted
- Delivery with armoured cable
- Digital image stabilization, dynamic masking

MY R. STAHL EC940SAFZIB



ONVIF



R. STAHL's EC-940S-AFZ zoom cameras are all-round talents for surveillance in hazardous areas because in addition to an excellent panoramic view they also produce very good detailed images. This is the result of the IP camera's high resolution (Full HD with 1920 x 1080), the optical 30x zoom and the brilliant image quality - the WDR function (120 dB) optimises the lighting of very bright or dark areas even in difficult lighting conditions. The built-in wiper and the defog function also ensure a clear view. The IP models are amongst the most modern cameras for hazardous areas and can be integrated into VMS systems worldwide via the ONVIF protocol (Profile Q, S and T).

### Technical Data

#### Explosion Protection

|                                 |   |
|---------------------------------|---|
| Application range (zones)       | 1, 2, 21, 22                                    |
| Certifications                  | ATEX, IECEx                                     |
| IECEx gas certificate           | ITS 16.0026X                                    |
| IECEx gas explosion protection  | Ex db IIC T5 Gb                                 |
| IECEx dust certificate          | ITS 16.0026X                                    |
| IECEx dust explosion protection | Ex tb IIIC 100 °C Db IP66, 67, 68, 69           |
| ATEX gas certificate            | 16 ATEX 18446X                                  |
| ATEX gas explosion protection   | Ex II 2 G Ex db IIC T5 Gb                       |
| ATEX dust certificate           | 16 ATEX 18446X                                  |
| ATEX dust explosion protection  | Ex II 2 D Ex tb IIIC 100 °C Db IP66, 67, 68, 69 |
| Lloyd's Register categories     | ENV1, ENV2, ENV3, ENV5                          |

#### Electrical Data

|                                  |                               |
|----------------------------------|-------------------------------|
| Rated operational voltage AC     | 24 V                          |
| Rated operational voltage DC     | 12 ... 24 V                   |
| Rated operational current AC     | 2.2 A                         |
| Rated operational current for DC | 2.2 – 3.5 A                   |
| Interfaces                       | RJ45 socket                   |
| Connection                       | Ethernet LAN 100Base-TX, RJ45 |
| I/O alarm                        | 1x alarm input                |
| I/O relay                        | 1x relay output               |

#### Camera Data

|        |  |
|--------|--|
| Sensor | 1/2.8" Exmor R CMOS                        |
| Lens   | f = 4.3 (w) to 129 mm (t) From F1.6 to F14 |

EC-940S-AFZ-HGI-W24-56B Art. No. 290556

### Camera Data

|                                      |   |
|--------------------------------------|---|
| Viewing angle                        | 63.7° to 2.3° H, 38.5° to 1.3° V  |
| Focus                                | Auto, manual, trigger   |
| Zoom                                 | 30x (360x digital zoom)   |
| Resolution                           | Full HD 1080p 1920x1080 pixels  |
| Pixel                                | 2.13 megapixels   |
| Minimum illumination B/W (ICR-ON)    | 0.0008 lx, 30 IRE   |
| Minimum illumination color (ICR-OFF) | 0.0013 lx 50 IRE  |
| Number of streams                    | 3 independent video streams Full HD Depending on configuration                              |
| Frame rate (fps)                     | 1 to 60 frames per second   |
| Back light compensation              | On/Off  |
| Electronic shutter                   | 1/1 to 1/10,000s  |
| Compression                          | H.264, MJPEG, JPEG, MPEG4   |
| No. of privacy maskings              | 24 (8 simultaneously)   |
| De-fog                               | Off/Low/Mid/High  |
| WDR (dynamic range)                  | 120 dB  |
| White balance                        | AWB, ATW, internal, external (Fixed, auto), sodium vapour lamp (Fixed, auto, external auto) |
| Wide Dynamik Range                   | On/Off Light level, selection of Brightness compensation Light compensation level           |
| Motion detection                     | Yes   |
| Web server                           | Yes   |

### Software

|                       |   |
|-----------------------|---|
| Network protocol      | ONVIF profiles Q,S,T  |
| Network Configuration | TCP/IPv4-IPv6, UDP/IPv4-IPv6, HTTP, HTTPS, NTP, DHCP, WS-DISCOVERY, DSCP, IGMP (Multicast), SOAP, DNS, SNMP |
| Streaming             | RTSP, RTCP, RTP/IPv4, HTTP Multicast  |

### Ambient Conditions

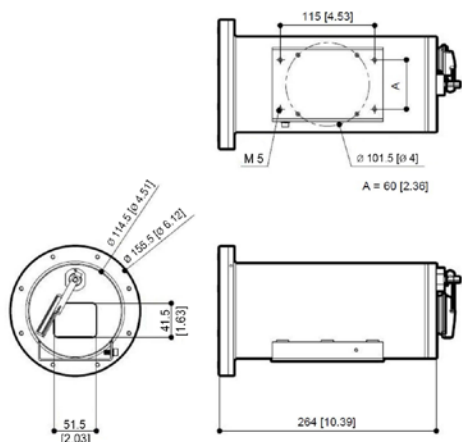
|                                 |                   |
|---------------------------------|-------------------|
| Ambient temperature °C          | -50 °C ... +65 °C |
| Cold start range (with heating) | -40°C up to -10°C |

### Mechanical Data

|                           |                                |
|---------------------------|--------------------------------|
| Version                   | Low-light technology           |
| Degree of protection (IP) | IP66, 67, 68, 69               |
| Enclosure material        | Stainless steel 1.4404         |
| Surface treatment         | Shotblasted + electropolished  |
| Cable 1                   | Outer diameter: 20.0+/- 0.5 mm |
| Cable 2                   | Inner jacket diameter: 15.2 mm |
| Cable 3                   | Colour: RAL 9005 black         |
| Cable structure           | Armoured cable                 |
| Cable length              | 4 m                            |
| Opening for cable gland   | 1 3/4" NPT with cable gland    |
| Integrated wiper          | Yes                            |
| Feature                   | Advanced image stabilisation   |
| Package weight            | 12.5 kg                        |
| Package dimensions        | 600 x 300 x 600 mm             |
| Weight                    | 8.5 kg                         |
| Weight                    | 18.74 lb                       |

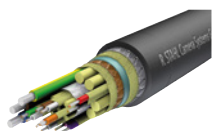
EC-940S-AFZ-HGI-W24-56B Art. No. 290556

Dimensional Drawings (All Dimensions in mm [inches]) – Subject to Alterations



## Accessories

### Camera multi-cable armored



#### VB-CAM-MULTI-Ethernet-ARM

1 x Ethernet cable  
3 x power supplies 2.5 mm<sup>2</sup> / AWG14  
7 x data cable 0.34 mm<sup>2</sup> / AWG22  
-60 °C ... +80 °C [-76 °F ... +176 °F]  
19.2 ±0.5 mm [0.76 ±0.02 inches] outer diameter  
IEC 60332-1 flame-resistant  
IEC 60754-2 halogen-free  
DIN 60811-404 oil-resistant  
NEK 606 mud-resistant

Art. No.

252571

### Ex e Terminal box



#### JCT-8146-Ethernet+Analog 5xcable glands

Terminal box, polyester resin  
Version for ethernet Tx or analog cameras  
Dimensions without cable glands (HxWxD): 340.5 mm x 340.5 mm x 91 mm  
Ingress protection: IP66  
equipped with:  
5 x cable glands:  
2 x CMP-25SC2KVAR KLE MsNi M25x1.5  
1 x 8161/7-M25-1707 with red stopping plug  
2 x 8161/7-M20-1304 with red stopping plug  
usable for:  
EC-750, EC-910-AFZ, EC-940S-AFZ (ATEX, IECEx)  
EC-840S-TIC (ATEX, IECEx), EC-94x-PTZ, Water tank

Art. No.

265668

### Wall bracket



#### WB-EC-840S/EC-940S

Suitable for EC-x40S series  
Material: 316L stainless steel, electropolished  
Capacity: max. 40 kg [88.18 lb]  
Length: 420 mm [16.54 inches]

Art. No.

251387

EC-940S-AFZ-HGI-W24-56B Art. No. 290556

| Pole adapter module   |  | Art. No. |
|---|--|----------|
|     | <p><b>PMA-EC-840S /EC-940S</b><br/>                     Suitable for EC-x40S<br/>                     For pole diameter 110 ... 150 mm [4.33 ... 5.9 inches]<br/>                     Material: 316L stainless steel, electropolished<br/>                     Capacity: max. 50 kg [110.23 lb]<br/>                     Weight: 3.3 kg [7.28 lb]<br/>                     Only together with wall bracket EC-x40S type 251387</p>   | 251380   |
| Corner adapter module   |  | Art. No. |
|     | <p><b>Corner adapter module EC-x40S</b><br/>                     Suitable for EC-x40S series<br/>                     Material: 316L stainless steel, electropolished<br/>                     Capacity: max. 50 kg [110.23 lb]<br/>                     Only together with wall bracket EC-x40S type 251387</p>   | 251381   |
| Parapet mounting bracket  |  | Art. No. |
|     | <p><b>PM-EC-840S /EC-940S</b><br/>                     Suitable for EC-x40S series<br/>                     Material: 316L stainless steel, electropolished<br/>                     Capacity: max. 70 kg [154.32 lb]<br/>                     Height: 124 mm [4.88 inches]<br/>                     Only together with ball joint adapter EC-x40S type 251388</p>   | 251386   |
| Ball joint  |  | Art. No. |
|  | <p><b>Ball joint x40S</b><br/>                     316L stainless steel, electropolished<br/>                     Capacity: max. 40 kg [88.18 lb]<br/>                     Diameter: 101.6 mm [4 inches]</p>   | 251388   |
| Water tank  |  | Art. No. |
|   | <p><b>WaterTank 10-PV-A</b><br/>                     316L (1.4404) stainless-steel enclosure, electropolished<br/>                     Capacity 10 litres<br/>                     Pressure generation by manual pumping or with compressed air<br/>                     Pressure: max 4 bar<br/>                     24 V AC/DC, max 20 W<br/>                     Temp. range -40 °C to +60 °C / [-40 °F to +140 °F] (depending on freezing point of liquid used)<br/>                     ATEX certified Zone 1, 2<br/>                     Suitable for EC-94x-PTZ and EC-940S-AFZ</p> | 251366   |

We reserve the right to make alterations to the technical data, dimensions, weights, designs and products available without notice. The illustrations cannot be considered binding.