

# Isolator Barriers

## Switching repeater

Ex i field circuit

9170/21-12-21s Art. No. 203281



- Can be used up to SIL 2 (IEC/EN 61508)
- Wire-breakage and short-circuit monitoring system, which can be disconnected and issues alerts
- Optional line error transparency: The device notifies the control system directly of any field-side line faults via the signal output.

MY R. STAHL 9170A



9170 series Ex i switching repeaters can be used for operating contacts, NAMUR proximity sensors or optocouplers. Models are available with one or two channels. The intrinsically safe digital input is always galvanically separated from the output and auxiliary power. The channels in the two-channel devices are galvanically separated. Certain variants transmit frequencies of up to 10 kHz and the output signal can be inverted.

### Technical Data

Explosion Protection	
Ex interface zone	0, 1, 2, 20, 21, 22
IECEX gas certificate	IECEX BVS 09.0041 X
IECEX gas certificate	IECEX BVS 09.0041 X
IECEX gas explosion protection	Ex [Ex ia Ga] IIC
IECEX dust certificate	IECEX BVS 09.0041 X
IECEX dust explosion protection	[Ex ia Da] IIIC
IECEX firedamp certificate	IECEX BVS 09.0041X
IECEX firedamp protection	[Ex ia Ma] I
ATEX gas certificate	DMT 02 ATEX E 195 X
ATEX gas certificate	DMT 02 ATEX E 195 X
ATEX gas explosion protection	Ex II (1) G Ex [Ex ia Ga] IIC
ATEX dust certificate	DMT 02 ATEX E 195 X
ATEX dust explosion protection	Ex II (1) D [Ex ia Da] IIIC
ATEX firedamp certificate	DMT 02 ATEX E 195 X
ATEX firedamp protection	Ex I (M1) [Ex ia Ma] I
FMus certificate	FM16US0122X
cFM certificate	FM16CA0067X
Marking cFMus	AIS Class I,II,III, Div. 1, Groups A,B,C,D,E,F,G; Class I, Zone 0, [AEx ia]/[Ex ia] IIC T4 at Ta = 70°C See Doc. 91 706 02 31 1
Certificates	ATEX (BVS), Brazil (ULB), Canada (FM), Canada (UL), China (NEPSI), IECEX (BVS), India (PESO), Korea (KGS), SIL (exida), USA (FM), USA (UL)
Ship approval	CCS, EU RO MR (DNV)
Declaration of conformity	ATEX (EUK), China (CCC)
Installation	In safe areas

# Isolator Barriers

## Switching repeater

Ex i field circuit

9170/21-12-21s Art. No. 203281



### Explosion Protection

Further information see respective certificate and operating instructions

### Safety Data

Max. voltage $U_o/V_{oc}$	9.6 V
Max. current $I_o/I_{sc}$	10 mA
Max. power $P_o$	24 mW
Max. permissible external capacitance $C_o/C_a$ for IIC	3.6 $\mu$ F
Max. permissible external inductance $L_o/L_a$ for IIC	350 mH
Max. permissible external capacitance $C_o/C_a$ for IIB	26 $\mu$ F
Max. permissible external inductance $L_o/L_a$ for IIB	1000 mH
Max. permissible external capacity $C_o$ for IIIC	26 $\mu$ F
Max. permissible external inductance $L_o$ for IIIC	1000 mH
Max. permissible external inductance $L_o$ for I	1000 mH
Max. voltage $U_o$ parallel	9.6 V
Max. current $I_o$ parallel	20 mA
Max. power $P_o$ parallel	48 mW
Safety-related max. voltage	253 V

### Functional Safety

SIL	2
HFT	0
SFF	70%
Lambda SD	8 FIT
Lambda SU	167 FIT
Lambda DD	1 FIT
Lambda DU	72 FIT
PFD <sub>avg</sub> at T <sub>proof</sub> 1 year	3,44E-04
PFD <sub>avg</sub> at T <sub>proof</sub> 2 years	6,56E-04
PFD <sub>avg</sub> at T <sub>proof</sub> 5 years	1,59E-03
Further information	See safety manual and test report

### Electrical Data

Number of channels	2
LFD relay	No
Max. short-circuit current	8.2 mA

### Auxiliary Power

Auxiliary power	110 to 230 V AC
Min. auxiliary power nominal voltage	120 V
Max. auxiliary power nominal voltage	230 V
Auxiliary power voltage range	96 ... 253 V
Nominal current	18 mA
Power consumption	2.8 W

# Isolator Barriers

## Switching repeater

Ex i field circuit

9170/21-12-21s Art. No. 203281



### Auxiliary Power

Max. power dissipation	2 W
Undervoltage monitoring	Yes
Operation indication	LED
HE frequency range	48 ... 62 Hz

### Galvanic Isolation

Test voltage as per standard	EN IEC 60079-11
Ex i input to output	1.5 kV AC
Ex i input to auxiliary power	1.5 kV AC
Ex i input to fault message contact	1.5 kV AC
Ex i input to Ex i input	500 V AC
Test voltage as per standard	EN 50178
Output to auxiliary power	1,1 kV AC
Output to output	1,1 kV AC

### Input

Input signal	As per EN 60947-5-6 (NAMUR)
Input current for ON	$\geq 2.1$ mA
Input current for OFF	$\leq 1.2$ mA
Hysteresis	Approx. 0.2 mA
Input internal resistance $R_i$	1000 $\Omega$
Input for open-circuit voltage $U_a$	8,2 V
Short-circuit current	$\leq 8.2$ mA

### Output

Output per channel	1 change-over contact – power relay
Output	Change-over contact – power relay
Min. output load condition	12 V / 0.1 mA
Max. output DC load condition	250 V / 2 A
Max. output AC load condition	250 V / 4 A
Output switching capacity	50 W / 1000 VA
Output switching frequency	6 Hz
Switching delay ON/OFF	10 ms
Switching delay OFF/ON	10 ms
INV switch user adjustment	Activated/deactivated
Output electrical service life	1 x 10 <sup>5</sup> operating cycles at 250 V/4 A
Electrical service life note	Resistive load
Output mechanical service life	15 x 10 <sup>6</sup> operating cycles
Recommended back-up fuse	$\leq F 4$ A AC/2 A DC
Switching state indication	LED
LF switch user adjustment	Activated/deactivated
Wire breakage error detection input	$I_E < 0.05$ to 0.35 mA
Short circuit error detection input	$R_E < 100$ to 360 ohm
Behaviour of the output at line fault	OFF
Line fault indication	LED
Fault message contact switching capacity	30 V / 100 mA
Line fault and loss of power signalization	-

# Isolator Barriers

## Switching repeater

Ex i field circuit

9170/21-12-21s Art. No. 203281



### Ambient Conditions

Ambient temperature °C	-20 °C ... +70 °C (Single device) -20 °C ... +60 °C (Group assembly)
Ambient temperature °F	-4 °F ... +158 °F (Single device) -4 °F ... +140 °F (Group assembly)
Note	Installation conditions influence the ambient temperature. Please observe the "Cabinet installation guide".
Storage temperature °C	-40 °C ... +80 °C
Storage temperature °F	-40 °F ... +176 °F
Max. relative humidity	95%
Use at the height of	< 2000 m
Electromagnetic compatibility	Tested to the following standards and regulations: EN 61326-1 For use in industrial areas; NAMUR NE 21

### Mechanical Data

Degree of protection (IP)	IP30
Degree of protection (IP) terminals	IP20
Fire resistance (UL 94)	V0
Enclosure material	Polyamide
Grid dimension	17.6 mm
Width	17.6 mm
Width, inches	0.69 in
Height	114.5 mm
Height in inches	4.51 in
Length	108 mm
Length in inches	4.25 in
Weight	225 g
Weight	0.5 lb

### Mounting / Installation

Mounting type	DIN rail NS35/15, NS35/7.5
Mounting orientation	Vertical Horizontal
Connection type	Screw terminal
Min. rigid conductor cross section	0.2 mm <sup>2</sup>
Max. rigid conductor cross section	2.5 mm <sup>2</sup>
Min. flex conductor cross section	0.2 mm <sup>2</sup>
Max. flex conductor cross section	2.5 mm <sup>2</sup>
Connection cross-section AWG	24 ... 14

# Isolator Barriers

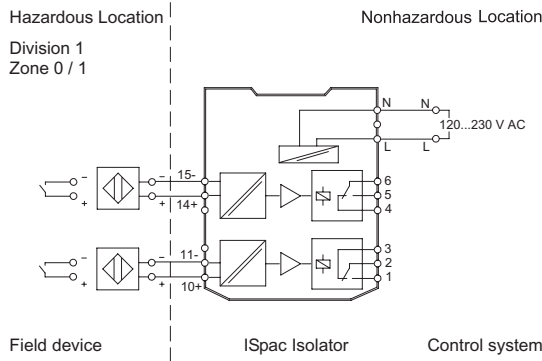
## Switching repeater



Ex i field circuit

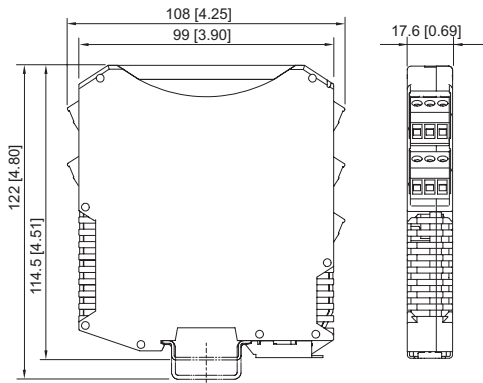
9170/21-12-21s Art. No. 203281

### Technical Drawings – Subject to Alterations



Connection diagram 9170/21-11-21

### Dimensional Drawings (All Dimensions in mm [inches]) – Subject to Alterations



ISpac Series 9143, 9146, 9147, 9160, 9162, 9163, 9165, 9167, 9170, 9172, 9175, 9176, 9180, 9182, 9193, ISbus Series 9412 with screw terminal

## Accessories

### Screw terminal with test tap

Art. No.

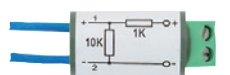


Additional connection of contacts also in hazardous areas to enable short-circuit and wire breakage detection. Mounting on DIN rail.

272381

### Resistive coupling element

Art. No.



Additional connection of contacts also in hazardous areas to enable short-circuit and wire breakage detection

105944

We reserve the right to make alterations to the technical data, dimensions, weights, designs and products available without notice. The illustrations cannot be considered binding.