

EC-910-AFZ-I04-P04 Art. No. 303273



- All-round Full HD zoom camera with 3x zoom
- PoE+, 24 VDC or 24 VAC
- Including wall / ceiling mount bracket
- Zones 1, 2, 21, 22
- Day / night, WDR, ONVIF Q, S and T
- Available without cable or with a 4 m or 10 m long armoured multi-cable

MY R. STAHL EC910AFZA



ONVIF



The EC-910-AFZ PoE+ camera combines state-of-the-art camera technology with Full HD resolution, WDR and zoom function for hazardous areas. The light-sensitive 3x zoom version features an extreme viewing angle of up to 90° (horizontal), making it ideal for monitoring rooms or inspection windows. To ensure guaranteed resistance to adverse weather, the EC-910-AFZ with 3x zoom has been tested and certified by Lloyd's Register for marine application. Lloyd's attests the camera's reliability with regard to temperature, corrosion and vibration resistance as well as EMC. Their design makes the cameras universally applicable in the oil and gas industries and in the chemical, pharmaceutical and related industries. The camera is certified acc. to ATEX, IECEx for Zone 1, 2, 21, 22. Additional certificates available are NEC C1 D2, CEC C1 Z1. The stainless-steel sun-protection and the wall / ceiling mount bracket are part of the standard delivery.

Technical Data

Explosion Protection

Application range (zones)	1, 2, 21, 22
Certifications	ATEX, IECEx
IECEx gas certificate	ULD 18.0001X
IECEx gas explosion protection	Ex db IIB T6...T5 Gb
IECEx dust certificate	ULD 18.0001X
IECEx dust explosion protection	Ex tb IIIC T85°C...T100°C Db
ATEX gas certificate	18 ATEX 2001X
ATEX gas explosion protection	Ex II 2 G Ex db IIB T6...T5 Gb
ATEX dust certificate	18 ATEX 2001X
ATEX dust explosion protection	Ex II 2 D Ex tb IIIC T85°C...T100

Electrical Data

Rated operational voltage AC	24 V
Rated operational voltage DC	24 V
Rated operational current AC	1.32 A
Rated operational current for DC	0.9 A
Power consumption	21 W
Interfaces	TX, PoE+
Connection	Ethernet LAN 100Base-TX, RJ45

Camera Data

Sensor	1/2" Exmor R CMOS
Lens	f = 3.6 mm (w), 10 mm (d) From F1.5 to F2.7

EC-910-AFZ-I04-P04 Art. No. 303273

Camera Data

Viewing angle	88.4° (wide) 40.7° (tele)
Focus	Automatic focus
Zoom	3x (96x digital zoom)
Resolution	Full HD to 320x180 p
Pixel	2.17 megapixels
Minimum working distance	300 mm (wide to tele.)
Minimum illumination B/W (ICR-ON)	0.1 lx IRE 50% 0.002 IRE 50% (slow shutter)
Minimum illumination color (ICR-OFF)	0.15 lx IRE 50% 0,0375lx (1/7.5s) slow shutter IRE 50% (slow shutter)
Number of streams	3 independent video streams Full HD
Frame rate (fps)	1 to 60 frames per second
S/N ratio	50 dB
Back light compensation	Yes
Compression	H.264, MJPEG, JPEG, MPEG4
White balance	Auto, ATW, internal, external
Wide Dynamik Range	On/off, light level
Motion detection	Yes
Web server	Yes

Software

Network protocol	ONVIF profiles Q,S,T
Network Configuration	TCP/IPv4-IPv6, UDP/IPv4-IP6, HTTP, HTTPS, NTP, DHCP, WS- DISCOVERY, DSCP, SOAP, DNS, IGMP (Multicast)
Streaming	RTSP, RTCP, RTP/IPv4-IPv6, HTTP, Multicast

Ambient Conditions

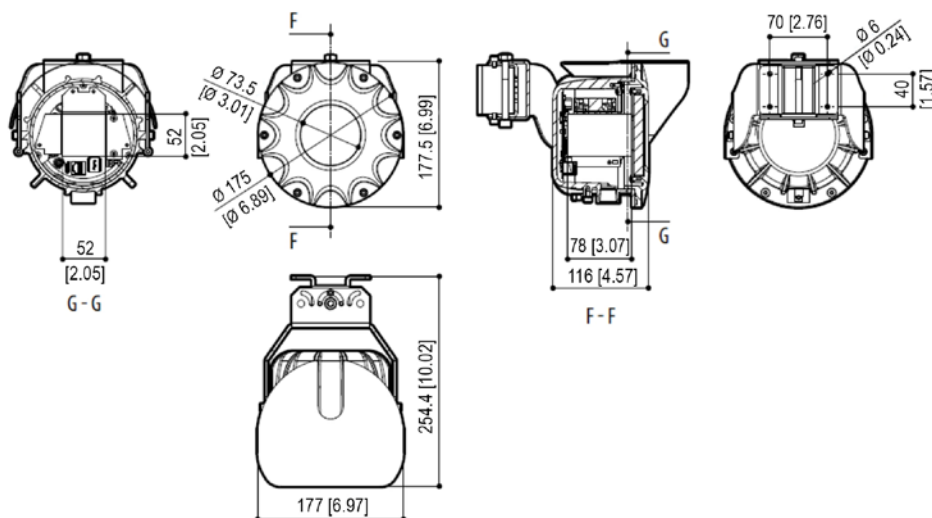
Ambient temperature °C	-40 °C ... +65 °C
------------------------	-------------------

Mechanical Data

Version	Movable viewing angle
Degree of protection (IP)	IP66, 67, 68, 69
Note on degree of protection	With IP68 (2h, 5m, 16 ft)
Enclosure material	Stainless steel 316L
Surface treatment	Shotblasted + electropolished
Cable structure	Armoured cable
Connection cable	with cable
Cable length	4 m
Opening for cable gland	1 x 1/2" NPT
Integrated wiper	No
Feature	Wall/ceiling fastening incl.
Package weight	11 kg
Package dimensions	640 x 208 x 590 mm
Weight	6.5 kg
Weight	14.33 lb

EC-910-AFZ-I04-P04 Art. No. 303273

Dimensional Drawings (All Dimensions in mm [inches]) – Subject to Alterations



Accessories

Pole and Corner module EC-910

Art. No.



Pole and Corner module EC-910-AFZ

Stainless steel 316L, electropolished
Payload: 30 kg [66.14 lbs]
Pole diameter: 60 mm ... 200 mm [2.36 x 7.87 inches]
Dimension: 120 x 86 mm [4.72 x 3.39 inches]

264965

Ex e Terminal box

Art. No.



JCT-8146-Ethernet+Analog 5xcable glands

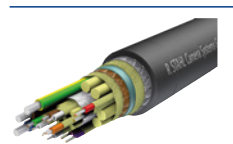
Terminal box, polyester resin
Version for ethernet Tx or analog cameras
Dimensions without cable glands (HxWxD): 340.5 mm x 340.5 mm x 91 mm
Ingress protection: IP66
equipped with:
5 x cable glands:
2 x CMP-25SC2KVAR KLE MsNi M25x1.5
1 x 8161/7-M25-1707 with red stopping plug
2 x 8161/7-M20-1304 with red stopping plug
usable for:
EC-750, EC-910-AFZ, EC-940S-AFZ (ATEX, IECEx)
EC-840S-TIC (ATEX, IECEx), EC-94x-PTZ, Water tank

265668

EC-910-AFZ-I04-P04 Art. No. 303273


Camera multi-cable armored

Art. No.

	<p>VB-CAM-MULTI-Ethernet-ARM 1 x Ethernet cable 3 x power supplies 2.5 mm² / AWG14 7 x data cable 0.34 mm² / AWG22 -60 °C ... +80 °C [-76 °F ... +176 °F] 19.2 ±0.5 mm [0.76 ±0.02 inches] outer diameter IEC 60332-1 flame-resistant IEC 60754-2 halogen-free DIN 60811-404 oil-resistant NEK 606 mud-resistant</p>	<p>252571</p>
--	--	---------------

Cable glands

Art. No.

	<p>CMP-20PX2K-REX-MSNi-NPT 1/2" OR-SET Cable gland with RapidEx compound explosion-protected Clamping-range: 12.5 ... 20.9 mm for EC-910</p>	<p>275571</p>
	<p>CMP-20sPX2K-REX KLE MSNi NPT 1/2" OR-SET Cable gland with RapidEx compound explosion-protected Clamping-range: 9.5 ... 15.9 mm for EC-910</p>	<p>278866</p>
	<p>CMP-20sPXSS2K-REX KLE MSNi NPT 1/2" SET Cable gland with RapidEx compound explosion-protected Clamping-range: 6.1 mm ... 11.7 mm for EC-910</p>	<p>279480</p>

We reserve the right to make alterations to the technical data, dimensions, weights, designs and products available without notice. The illustrations cannot be considered binding.