

8568/MCCB-GS102B-125 Art. No. 240701



- Degree of protection: Explosion-protected 1- and 2-pole moulded case circuit breaker with thermomagnetic protection
- Rated operational current from 15 to 125 A
- Maximum rated operational voltage: IEC/ATEX up to 415 V AC and NEC/CE Code up to 480 V AC
- Rated switching capacity of 10 kA according to IEC/EN 60947/UL 489
- Isolating characteristics according to IEC/EN 60947-2
- Thermal and magnetic release permanently set
- Design according to UL 489/CSA-C22.2 No. 5 and IEC 60947-2

MY R. STAHL 8568A



The Series 8568 moulded case circuit breakers meets all of the technical requirements for safe and selective switching-off. In the event of a short circuit, they limit the energy in the connected electrical circuits due to their mode of operation which effectively restricts short-circuit current, and thanks to their high short-circuit strength. They therefore provide a high degree of protection against back-up fuses tripping.

## Technical Data

### Explosion Protection

|                                |                                                            |
|--------------------------------|------------------------------------------------------------|
| Application range (zones)      | 1, 2, 21, 22                                               |
| Application range (Zone) note  | For use in Zone 21/22 when protected by Ex tb/tc enclosure |
| IECEX gas certificate          | FMG16.0005X                                                |
| IECEX gas explosion protection | Ex db eb IIC T4 / T5 Gb                                    |
| ATEX gas certificate           | FM 16 ATEX 0005X                                           |
| ATEX gas explosion protection  | Ex II 2 G Ex db eb IIC T4 / T5 Gb                          |
| FMus certificate               | FM19US0099U                                                |
| cFM certificate                | FM19CA0049U                                                |
| Certificates                   | ATEX (FM), Canada (FM), IECEx (FM), USA (FM)               |

### Electrical Data

|                                    |               |
|------------------------------------|---------------|
| Rated operational voltage AC       | 240 V / 415 V |
| AC rated operat. voltage (NEC)     | 480 V         |
| DC rated operational voltage       | 125 V / 250 V |
| Rated operational voltage DC (NEC) | 125 V / 250 V |
| Rated operational current          | 125 A         |
| Rated operational current          | 125 A         |
| Rated interrupting capacity        | 10 kA         |
| Type of voltage                    | AC/DC         |
| Auxiliary contacts                 | without       |
| Auxiliary contacts 2               | without       |
| N-pole present                     | No            |
| No. of poles                       | 2             |

### Ambient Conditions

|                        |                                                |
|------------------------|------------------------------------------------|
| Ambient temperature °C | -30 °C ... 40 °C (T5)<br>-30 °C ... 60 °C (T4) |
|------------------------|------------------------------------------------|

8568/MCCB-GS102B-125 Art. No. 240701

**Ambient Conditions**

|                        |                                                                                                                                                                     |
|------------------------|---------------------------------------------------------------------------------------------------------------------------------------------------------------------|
| Ambient temperature °F | -22 °F ... 104 ... +104 °F (T5)<br>-22 °F ... +140 °F (T4)                                                                                                          |
| Note                   | Ambient temperature range for the device's installation location. If the device is installed at temperatures reaching +60 °C (+140 °F), please contact the factory. |

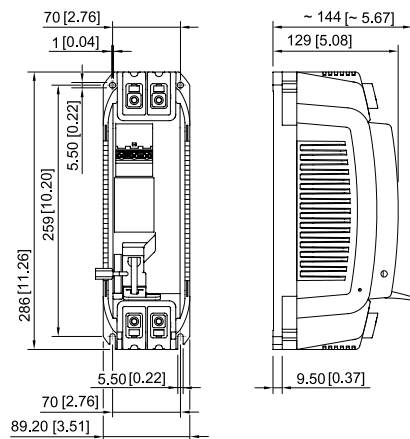
**Mechanical Data**

|                              |                           |
|------------------------------|---------------------------|
| Degree of protection (IP)    | IP20                      |
| Enclosure material           | Epoxy resin               |
| Connection cross-section AWG | 2 AWG ... 4/0 AWG         |
| Min. tightening torque       | 15 N · m                  |
| Max. tightening torque       | 20 N · m                  |
| Connection cross-section     | 35 ... 95 mm <sup>2</sup> |
| Width                        | 89.2 mm                   |
| Length                       | 286 mm                    |
| Length in inches             | 11.26 in                  |
| Mounting depth               | 144 mm                    |
| Mounting depth in inches     | 5.67 in                   |
| Weight                       | 3.4 kg                    |
| Weight                       | 7.5 lb                    |

**Mounting / Installation**

|                          |                   |
|--------------------------|-------------------|
| Tightening torque        | 15 – 20 N · m     |
| Tightening torque lbf in | 132 to 177 lbf in |

**Dimensional Drawings (All Dimensions in mm [inches]) – Subject to Alterations**



8568/MCCB, 2-pole

We reserve the right to make alterations to the technical data, dimensions, weights, designs and products available without notice. The illustrations cannot be considered binding.